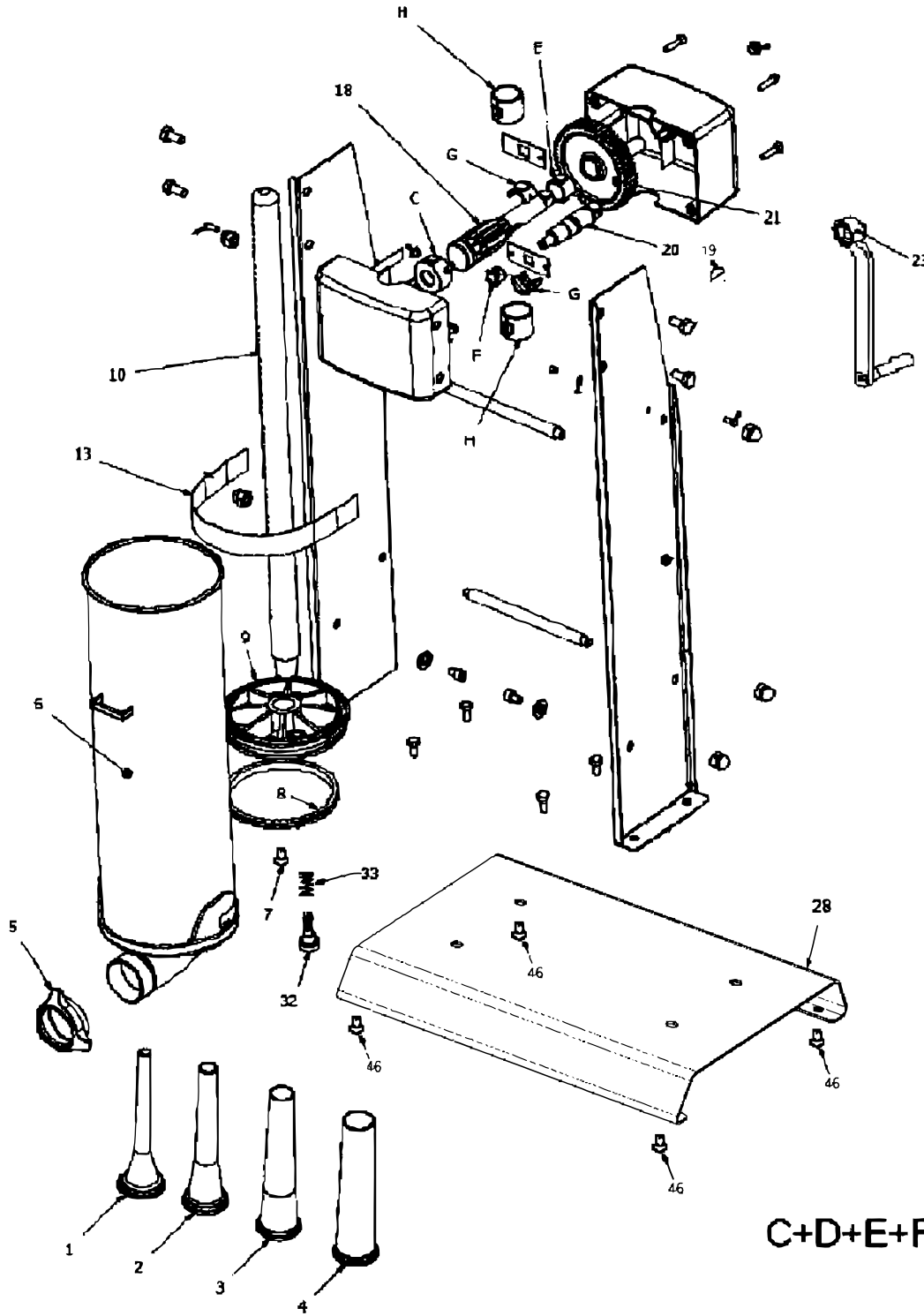


Parts Breakdown

Item 38000



$$\begin{aligned}
 8+9 &= 108 \\
 32+33 &= 132 \\
 (46 \times 4) &= 146 \\
 C+D+E+F+G+H &= 44
 \end{aligned}$$

Parts Breakdown

Item 38000

| Item No. | Description | Position | Item No. | Description | Position | Item No. | Description | Position |
|----------|---------------------------------|----------|----------|----------------------------------|----------|----------|--------------------------------|----------|
| 10124 | Plastic S. Spout 10mm for 38000 | 1 | 15286 | Gasket Silicone for 38000 | 8 | 15283 | Handle for 38000 | 23 |
| 10125 | Plastic S. Spout 20mm for 38000 | 2 | 15282 | Rack for 38000 | 10 | 78695 | Metal Base for 38000 | 28 |
| 10126 | Plastic S. Spout 30mm for 38000 | 3 | 66999 | Cylinder Holder for 38000 | 13 | 24837 | Plastic Bushing Kit for 38000 | 44 |
| 10127 | Plastic S. Spout 40mm for 38000 | 4 | 15289 | Rack Controlling Shaft for 38000 | 18 | 15284 | Piston and Gasket for 38000 | 108 |
| 15279 | Screw Ring for 38000 | 5 | 20037 | Key for 38000 | 19 | 15313 | Air Valve and Spring for 38000 | 132 |
| 15298 | Cylinder for 38000 | 6 | 15288 | Pinion for 38000 | 20 | 69321 | Set of 4 Feet for 38000 | 146 |
| 15285 | Piston Screw for 38000 | 7 | 18655 | Reducer Wheel for 38000 | 21 | 61887 | Complete Gear Block for 38000 | |